

Compact Highchair

Instructions



**IMPORTANT! KEEP FOR
FUTURE REFERENCE**

1 Welcome

The Compact highchair is carefully designed for baby's safety and features a large tray with cup holder and a wipe clean seat with five point harness. The highchair also folds compactly for storage.

Suitable for children who are able to sit up unaided (approximately 6-9 months up to 36 months).

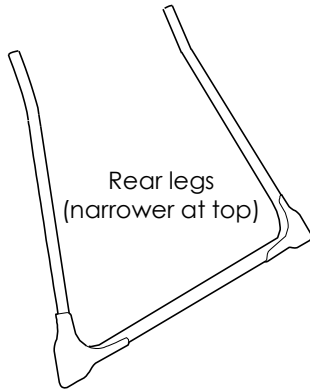
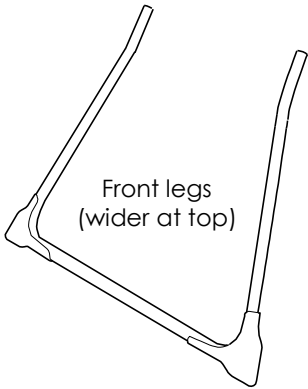
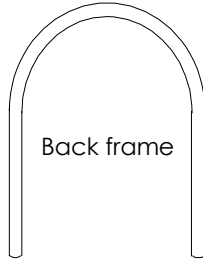
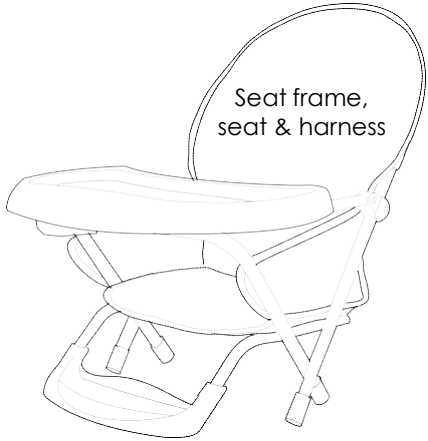
To ensure safe, trouble free use, please take a little time to read the important safety notes below and the following instructions.

2 Safety notes

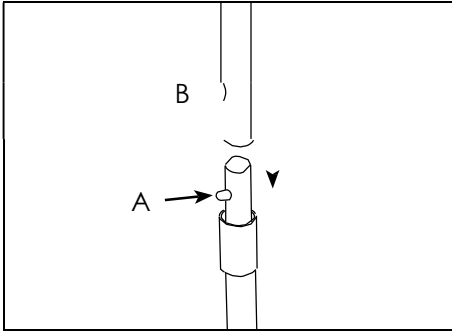
- **WARNING!** Do not use the highchair until your child can sit up unaided (6-9 months approximately).
- **WARNING!** Do not leave the child unattended.
- **WARNING!** Ensure your child wears a correctly fitted and adjusted harness at all times. For extra safety, D-rings are provided for a separate harness approved to BS EN 13210.
- **WARNING!** Do not use the highchair unless all components are correctly fitted and adjusted.
- **WARNING!** Be aware of the risk of open fires or other strong sources of heat, such as electric bar fires, gas fires etc. in the vicinity of the highchair.
- **WARNING!** Do not use if any part is broken, torn or missing.
- **WARNING!** Do not move the highchair with your child inside.
- Use only on a level and stable surface.
- When using the highchair at a table, ensure your child cannot push against the table or another surface as this could result in the chair tipping.
- Never move or carry the highchair whilst the baby is in it.
- Ensure children are clear of all moving parts before making any adjustments.
- Do not use near stairs or steps.
- When not in use, store away from children.
- Designed and manufactured to BS EN 14988 : 2006.

3 Parts

Please retain all packaging until you are certain no parts are missing.
After assembly, please dispose of all packaging carefully, including the caps on the ends of the legs.



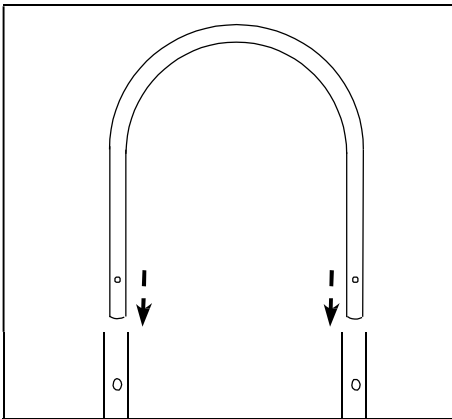
4 Tube fittings



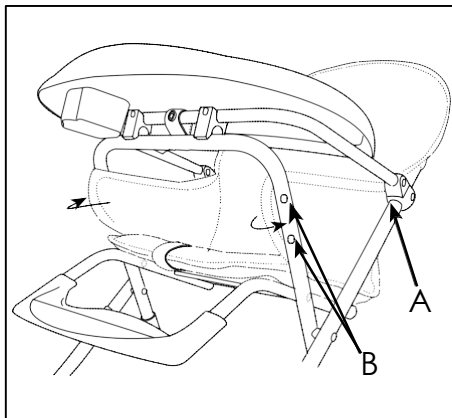
The backrest frame and legs attach using the system shown left.

The silver button A is squeezed and the tube end inserted into the outer tube until the silver button appears through the corresponding hole, A.

5 Fitting the seat



Fit the backrest tube to the seat frame as described above.



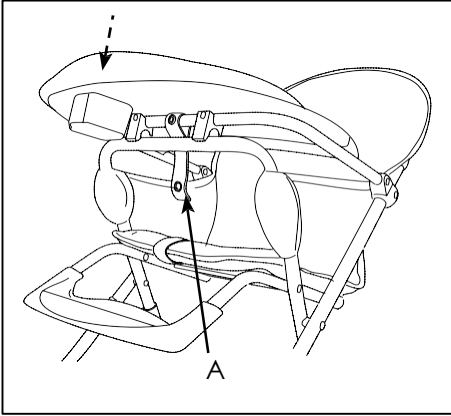
Open the seat frame.

Slide the pocket of the seat back over the curved back frame.

Fasten the press stud A at each side of the seat.

Secure the seat sides by wrapping them around the frame and fastening press studs B at each side of the seat.

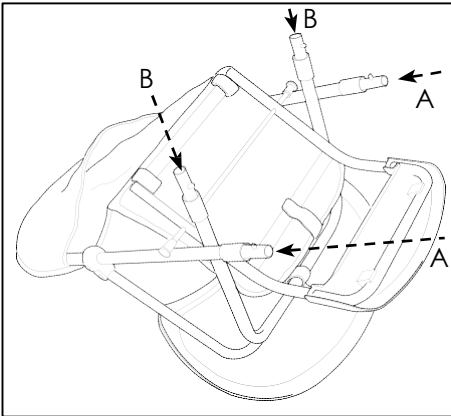
6 Opening



Open the seat frame fully and press the tray down firmly to fasten the clips to the tube underneath.

Wrap the webbing strap around both tubes under the tray and fasten the press stud A.

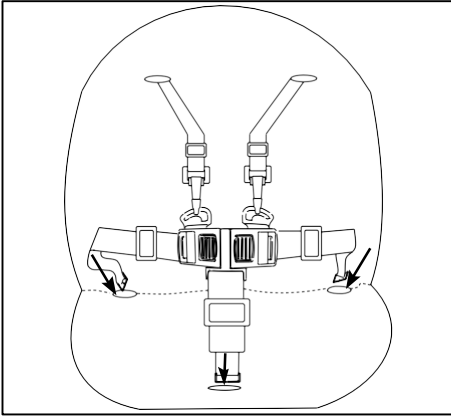
7 Fitting the legs



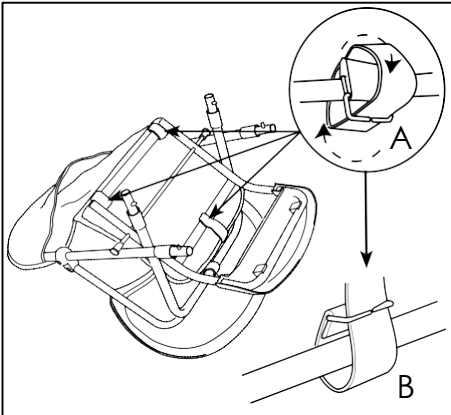
Noting the front legs are wider at the top than the rear legs, press the silver buttons on the legs in and push the legs on to the frame tubes A.

Repeat for the narrower rear legs that fit on frame tubes B.

8 Attaching and checking the harness



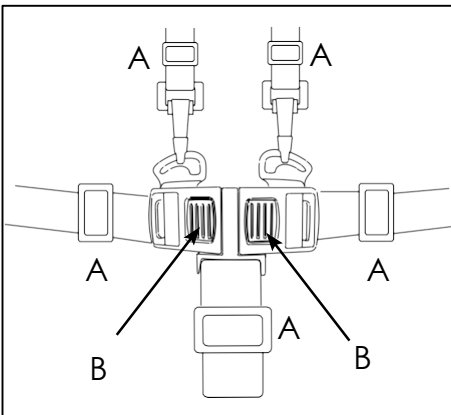
The harness comes part fitted to the seat. Ensure the waist straps and crutch strap are fed through the slots in the seat unit. The shoulder straps are pre-fitted but can be height adjusted by pulling the straps through the slots in the seat and re-inserting through the preferred slots.



With the highchair upturned, wrap the split metal rings at the end of each strap around the corresponding support bars and thread the webbing through the small gap in the metal ring, A, so it is attached as in B.

Once attached, check the security of the waist and crutch straps by pulling on them from the front of the seat.

9 Harness use



A five-point safety harness is provided to restrain your child and should always be worn.

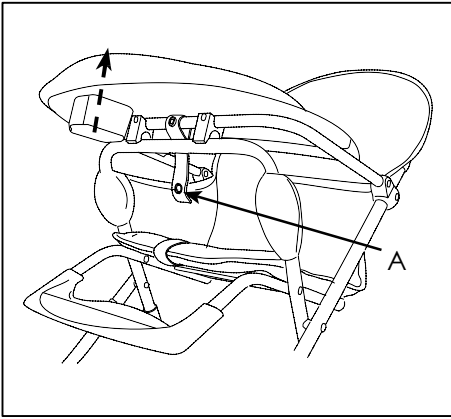
Sliding adjusters, A, are fitted and should be carefully adjusted so the harness fits your child comfortably.

To fasten the harness push the side pieces into the centre buckle.

To release, press parts B and remove from the buckle.

'D' rings are fitted at the end of each waist strap should you wish to attach a separate harness complying with BS EN 13210.

10 Folding



Release the press stud, A on the webbing strap underneath the tray, lift the tray firmly to release the clips from the tube, and fold the legs together.

11 Care of your highchair

- Wipe spilled food off the highchair as soon as possible as some types of food may cause staining.
- The seat pad can be cleaned by sponging with warm soapy water and a mild detergent. A mild disinfectant may be used. Never clean with abrasive, ammonia based, bleach based or spirit type cleaners.
- Regularly check the highchair, particularly the harness for wear and discontinue use if damaged

