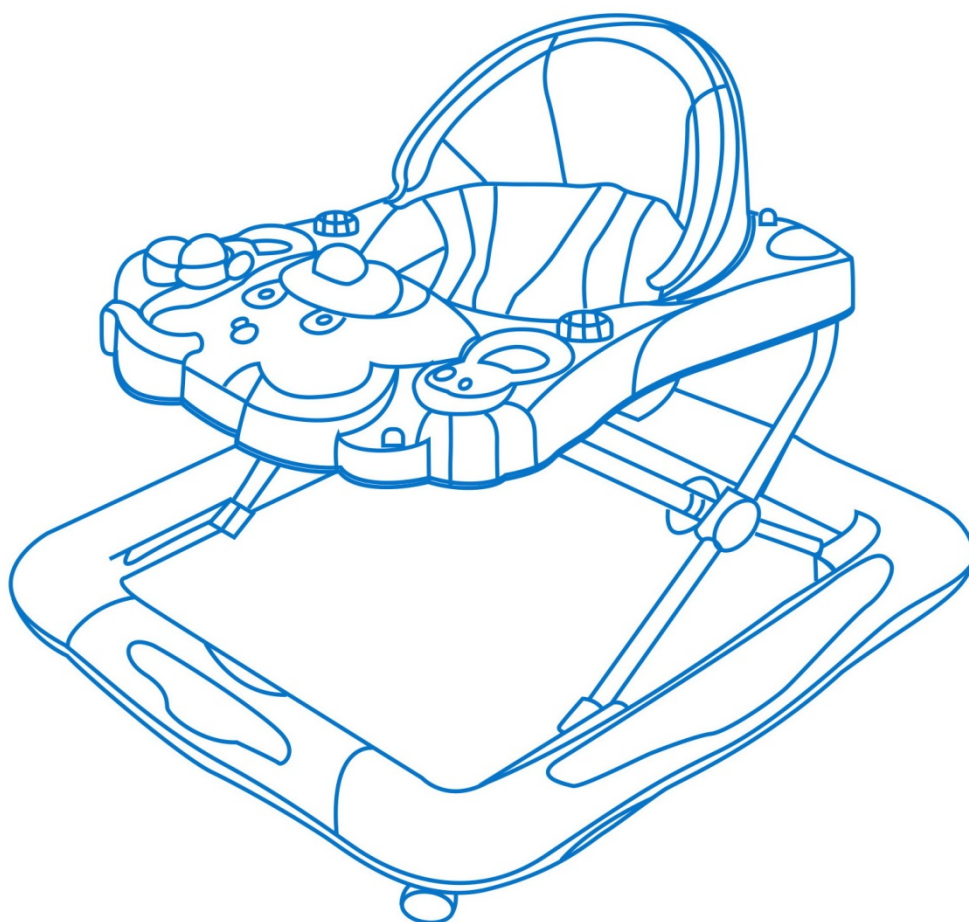


INSTRUCTIONS



BABY WALKER

Approximately from 6 months of age

Maximum weight is 12kgs

ENGLISH

WARNINGS

! THESE INSTRUCTIONS ARE VERY IMPORTANT. PLEASE READ THROUGH CAREFULLY, AND RETAIN FOR FUTURE REFERENCE.

PLEASE READ THOROUGHLY BEFORE ASSEMBLING, AS AN INCORRECT ASSEMBLING COULD BE DANGEROUS. THIS PRODUCT SHOULD ONLY BE ASSEMBLED BY AN ADULT.

WARNING — Never leave the child unattended.

WARNING — The child will be able to reach further and move rapidly when in the baby walker.

WARNING — Never attempt to adjust the height of the walker with the child inside.

User Instructions:

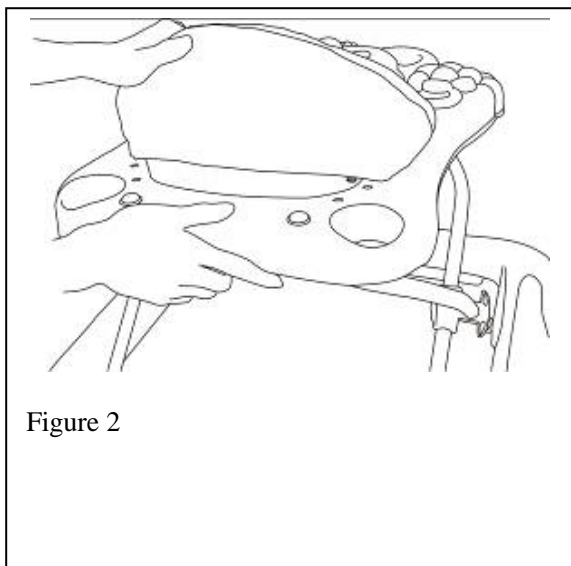
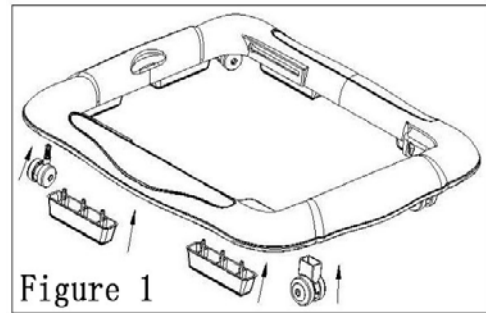
- Prevent access to stairs, steps and uneven surfaces;
- Guard all fires, heating and cooking appliances;
- Remove hot liquids, electrical flexes and other potential hazards from reach;
- Prevent collisions with glass in doors, windows and furniture;
- Do not use the baby walker if any components are broken or missing;
- This baby walker should be used only for less than 20 minutes.
- This baby walker is intended to be used by children who can sit unaided, approximately from 6 months. It is not intended for children weighing more than 12 kg;
- Do not use replacement parts other than those approved by the manufacturer ;
- Insert two 1.5V5 batteries. (not included)
- Different types of batteries or new and used batteries are not be mixed. Batteries that have run out **SHOULD** be removed from the toy.
- The supply terminals are not to be short-circuited.
- Please keep all the relevant information for future reference

Maintenance Tips:

- Make sure all pieces that need fastening are tightened before use.
- Please check the product over regularly, and keep it in safe places when not used.
- Grease revolving parts such as the friction points of every axles and rotatable parts to guarantee flexibility with solid oil to prolong the life span, and check and fasten the screwed joints once a week.
- Do not use or store in moist ,frigid or high-temperature environments.

Wheel Assembly

Place the walker on a stable and even surface. Insert the four caster stems into the four plastic holes of the lower base (fig 1)



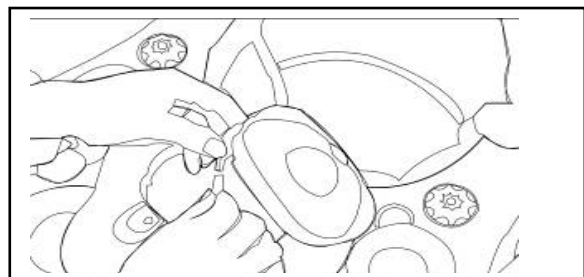
Back of Seat Unit

Insert the plastic support into the fabric seat. Use the Loop found in the middle of the fabric seat to secure the seat to the back support. then push the five plastic pins on the back of the cushion into the pin holes found on the top of the tray. When the pins are fully inserted use the plastic bolts provided to secure the seat onto the frame of the walker (fig 2)

Insert the plastic support into the fabric seat. Use the Loop found in the middle of the fabric seat to secure the seat to the back support. then push the five plastic pins on the back of the cushion into the pin holes found on the top of the tray. When the pins are fully inserted use the plastic bolts provided to secure the seat onto the frame of the walker.

Music Tray Installation

Before you install the music tray you must insert 2 x 1.5V AA batteries. Open the battery cover located on the back of the music tray and insert the batteries ensuring the polarity is correct. then place the toy on top of the tray into the slot. Secure the music tray by attaching the toggles to the underside and turning 90° (fig 3)



To Adjust the Height

Place one hand on top of the baby walker and with the other hand press the button beneath the tray to adjust the height position. Turn the safety lock by 90° to lock the tray into place. **Always make sure the lock is engaged before placing your child in the walker.**

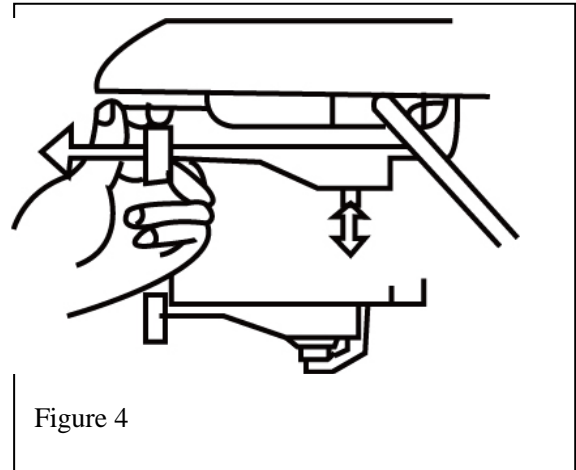


Figure 4

WARNING — Never leave the child unattended.

WARNING — The child will be able to reach further and move rapidly when in the baby walker.

WARNING — Never attempt to adjust the height of the walker with the child inside.

WARNING: Never leave a child unattended in this product.



Made in China for Bebe Style Ltd
NW2 1BG

info@bebestyle.co.uk
www.bebestyle.co.uk