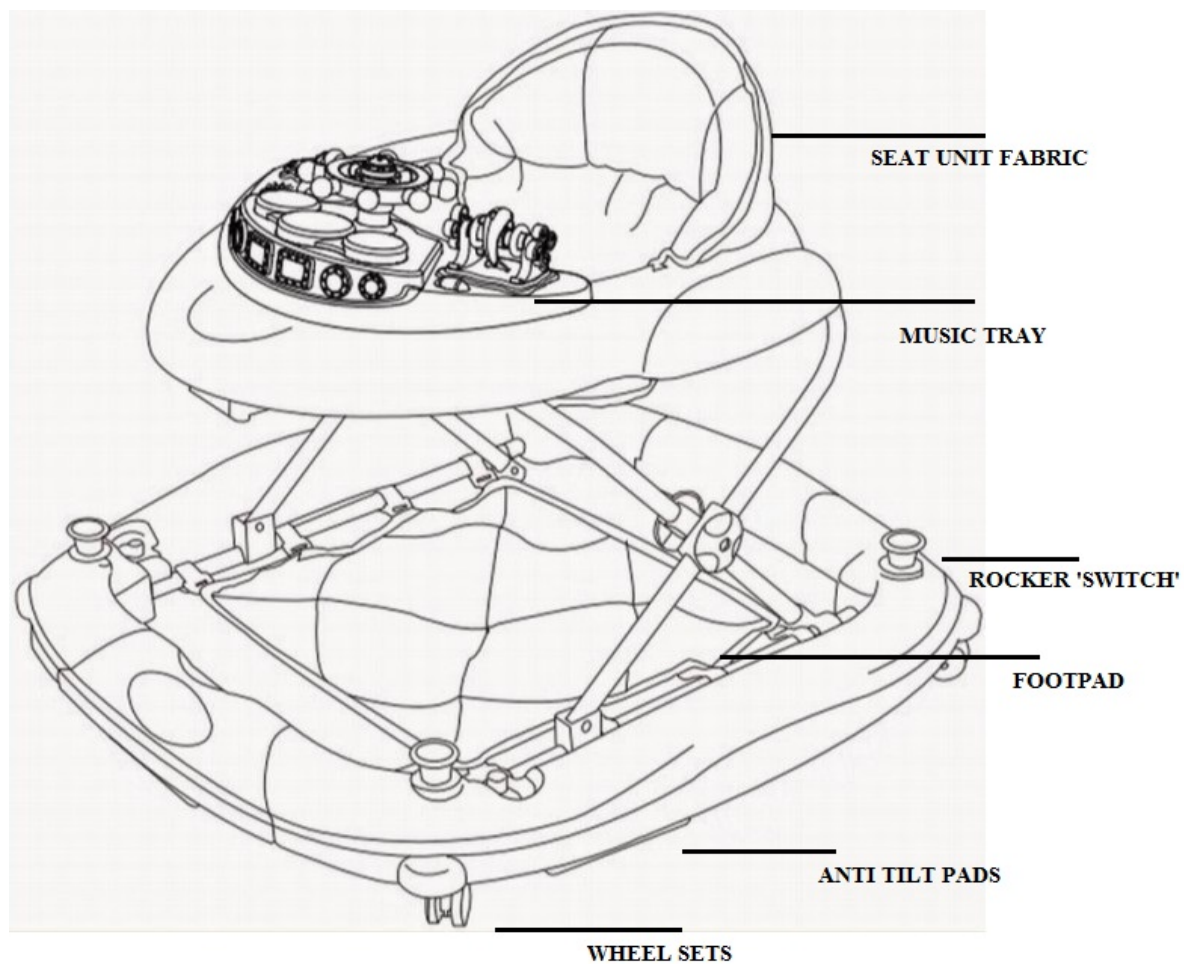


INSTRUCTIONS



SHIP BABY WALKER

Approximately from 6 months of age

Maximum weight is 12kgs

ENGLISH

WARNINGS



THESE INSTRUCTIONS ARE VERY IMPORTANT. PLEASE READ THROUGH CAREFULLY, AND RETAIN FOR FUTURE REFERENCE.

PLEASE READ THOROUGHLY BEFORE ASSEMBLING, AS AN INCORRECT ASSEMBLING COULD BE DANGEROUS.

THIS PRODUCT SHOULD ONLY BE ASSEMBLED BY AN ADULT.

WARNING — Never leave the child unattended.

WARNING — The child will be able to reach further and move rapidly when in the baby walker.

WARNING — Never attempt to adjust the height with the child in the walker.

User Instructions:

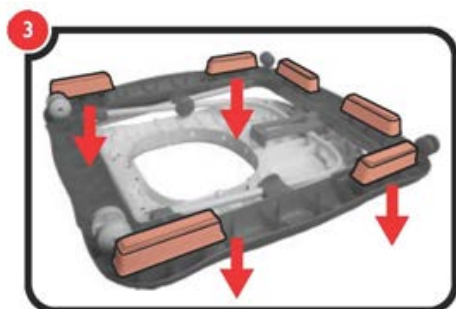
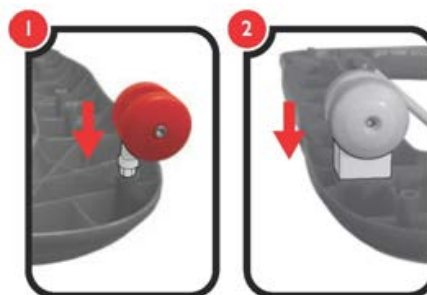
- Prevent access to stairs, steps and uneven surfaces;
- Guard all fires, heating and cooking appliances;
- Remove hot liquids, electrical flexes and other potential hazards from reach;
- Prevent collisions with glass in doors, windows and furniture;
- Do not use the baby walker if any components are broken or missing;
- This baby walker should be used only for less than 20 minutes.
- This baby walker is intended to be used by children who can sit unaided, approximately from 6 months. It is not intended for children weighing more than 12 kg;
- Do not use replacement parts other than those approved by the manufacturer ;
- Insert two 1.5V5 batteries. (not included)
- Different types of batteries or new and used batteries are not be mixed. Batteries that have run out SHOULD be removed from the toy.
- The supply terminals are not to be short-circuited.
- Please keep all the relevant information for future reference

Maintenance Tips:

- Make sure all pieces that need fastening are tightened before use.
- Please check the product over regularly, and keep it in safe places when not used.
- Grease revolving parts such as the friction points of every axles and rotatable parts to guarantee flexibility with solid oil to prolong the life span, and check and fasten the screwed joints once a week.
- Do not use or store in moist ,frigid or high-temperature environments.

Wheel Assembly

Place the walker on a stable and even surface. Insert the four caster stems into the four plastic holes of the lower base (fig 1 & 2)

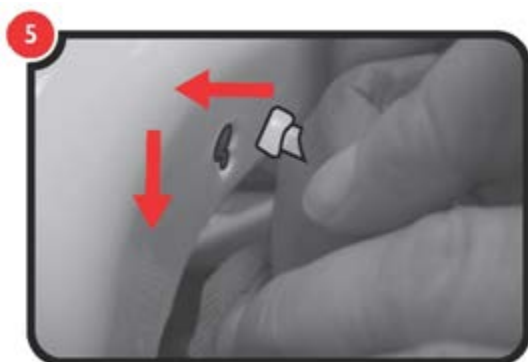


Anti Slip Pads

Insert all anti slip pads (as shown) into the location holes in the underside of the walkers base. Apply firmly even pressure to ensure the pads are fully inserted and level to the base.

Back of Seat Unit

Insert the plastic support into the fabric seat. Use the Loop found in the middle of the fabric seat to secure the seat to the back support. Then push the five plastic pins on the back of the cushion into the pin holes found on the top of the tray. When the pins are fully inserted use the plastic bolts provided to secure the seat onto the frame of the walker (see figure 4)

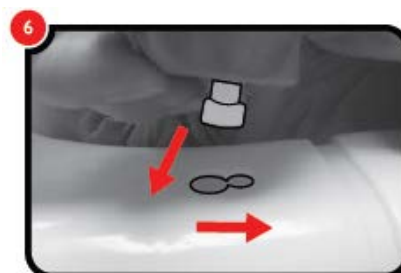


Seat Fitting

Secure the front of the seat unit to the tray by pushing the three plastic pins through the large end of the keyhole. Then push the shaft of the pin down into the small end until it clicks into place and locks.

Seat Arm Rest

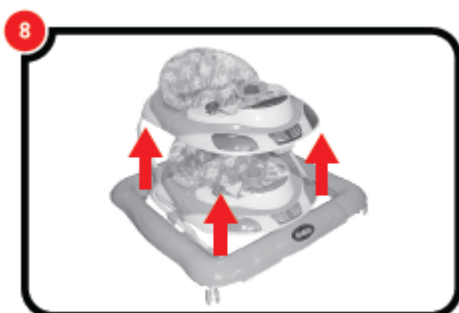
Push the pins located on the cushioned armrests through the hole in the flat plastic section in the seat fabric and secure in frame keyhole.





Music Tray Installation

Before you install the music tray you must insert 2 x 1.5V AA batteries. Open the battery cover located on the back of the music tray and insert the batteries ensuring the polarity is correct. then place the toy on top of the tray into the slot. Secure the music tray by attaching the toggles to the underside and turning 90° (see Fig 7)



To Open Walker

Open the walker by raising the tray to the highest position.

WARNING: Do not adjust the height when the child is in the walker.

To Adjust the Height

To adjust the height of the walker to the desired height (multiple positions available), place one hand on top of the baby walker and with the other hand press the button beneath the tray to adjust the height position. Turn the safety lock by 90° to lock the tray into place. Always make sure the lock is engaged before placing your child in the walker.



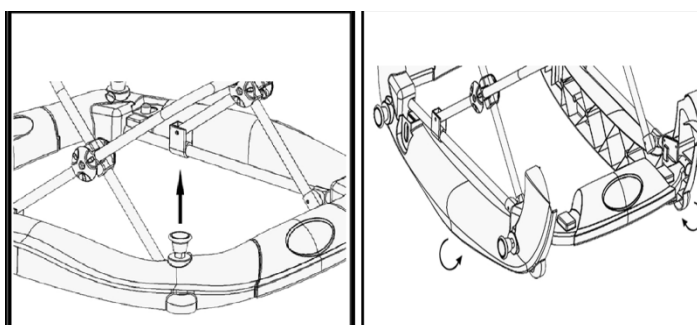
Rocker mode

Attach the footpad to the bottom of the walker using the clips on the side.

Pull the two white knobs on each side, and then pull firmly away from the walker.

-Do not do this whilst the child is in the walker.

-Never leave your child in the walker without the footpad



WARNING: Never leave a child unattended in this product.



Made in China
Bebe Style Ltd NW2BG www.bebestyle.co.uk