

# INSTRUCTIONS



## BEBE STYLE FFH23 HIGHCHAIR

Approximately from 6 months to 3 years

Maximum weight is 20kgs

**ENGLISH**



# IMPORTANT: KEEP FOR FUTURE REFERENCE

## SAFETY: TAKE NOTE

---

Thank you for choosing our product.

This highchair is carefully designed for baby's safety and features a large tray with cup holder and a wipe clean seat with five point harness.

Suitable for children who are able to sit up unaided (approximately 6-9 months up to 36 months.)

To ensure safe, trouble free use, please take a little time to read the important safety notes below and the following instructions.

- WARNING: Do not use if any part is broken, torn or missing.
- WARNING: Do not use the highchair until the child can sit up unaided.
- WARNING: Do not use the highchair unless all components are correctly fitted and adjusted.
- WARNING: Do not leave your child unattended, even for the shortest time.
- WARNING: To prevent serious injury or death from falls or sliding out, ensure the harness is correctly fitted and that the child is secure in the restraint.
- WARNING: Avoid placing the chair near naked heat sources such as electric bar fires, gas fires, etc. or where a child could gain access to any other kind of hazard.
- Ensure all locking devices work correctly & regularly check the locks & fittings for security.
  
- Only use on a flat stable surface.
- Ensure your highchair is fully erected before placing your child inside.
- Ensure children are clear of all moving parts before making any adjustments.  
Do not move the highchair with your child inside.
- Do not allow your child to climb unassisted into, play with or hang onto your highchair. This is not a toy.
- All additional hazards such as electrical flex should be kept out of reach of the child in the highchair.
- Complies with EN 14988 : 2006.

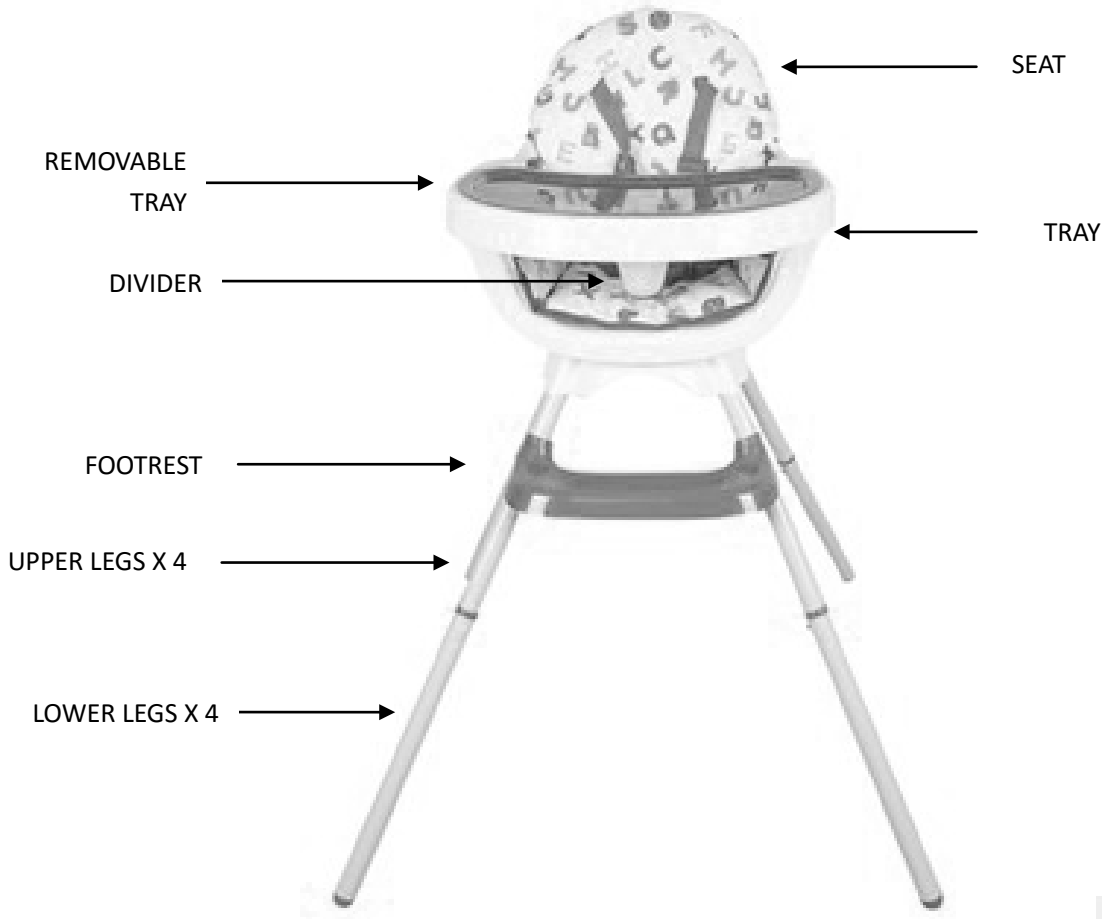
## CARE & MAINTENANCE

- Ensure all locking devices work correctly & regularly check the locks & fittings for security.
- Regularly check all parts for wear & tear.
- DO NOT use spray lubricants, simply wipe clean after use.

**Please read thoroughly before commencing installation as incorrect installation can be dangerous. Should be assembled only by an adult.**

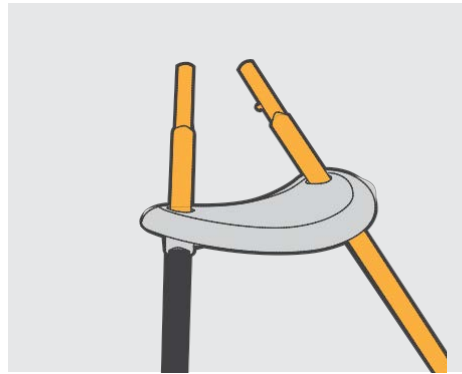
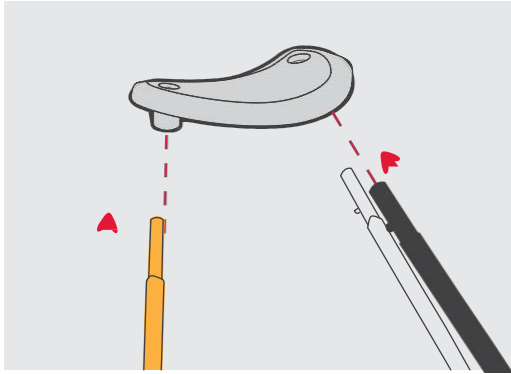
The highchair accommodates one child up to a maximum of 20kg.

# PARTS

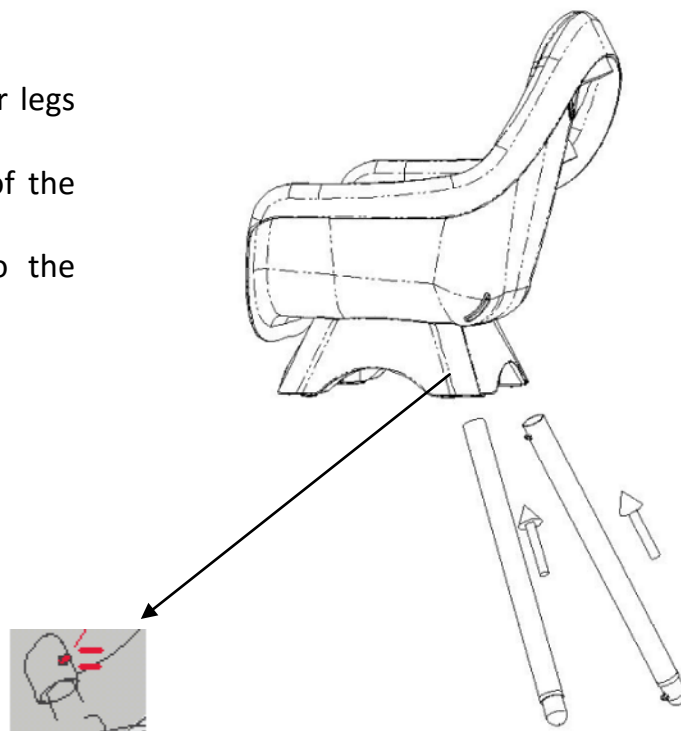


# INSTALLATION

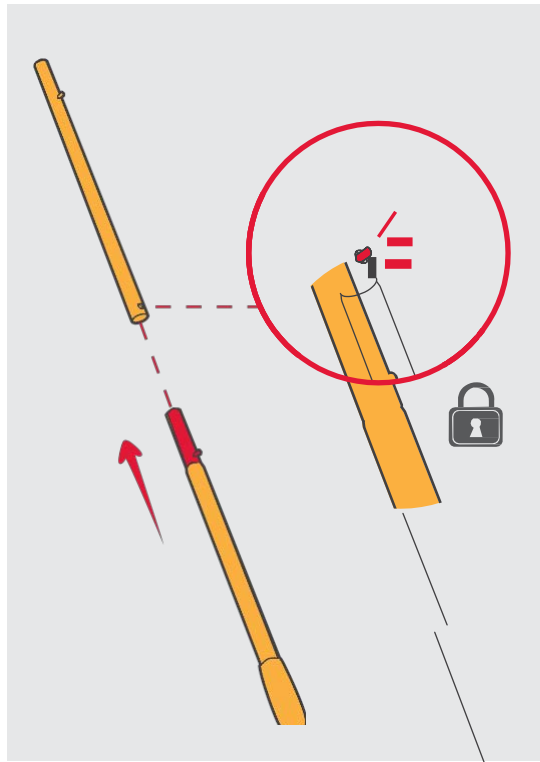
1. Take two upper legs, and slide them through the footrest



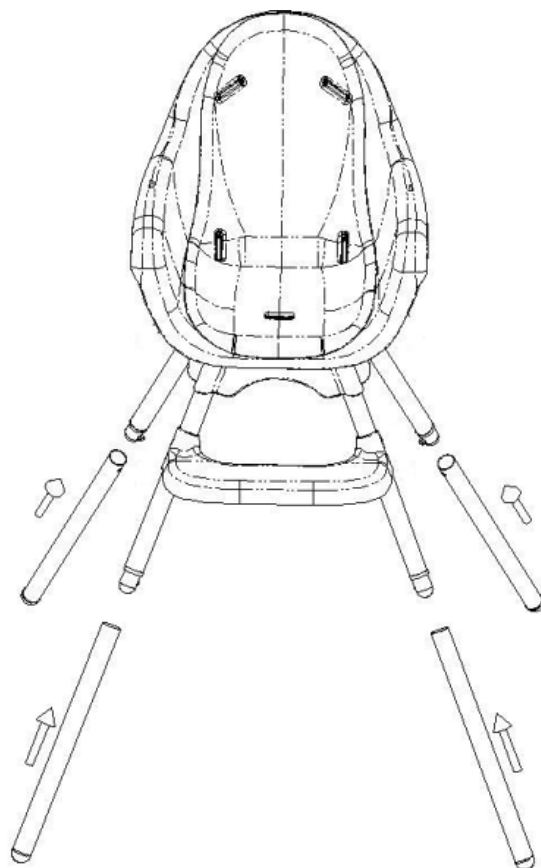
2. Push the 4 upper legs on to the bottom of the highchair seat, into the corresponding slots



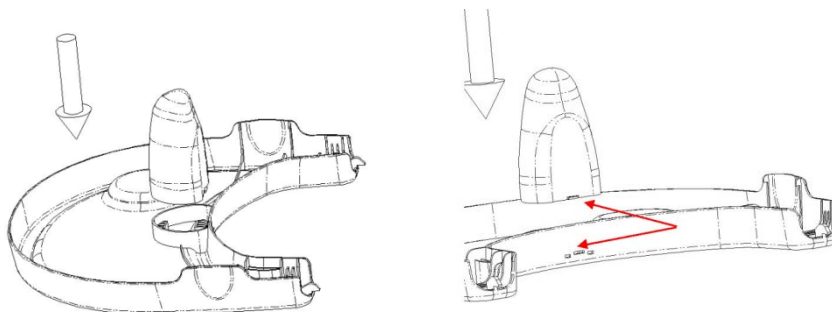
**3.** Insert the bottom legs in to the top legs.  
Insert it all the way until the popper of the lower legs 'pops' out of the higher legs



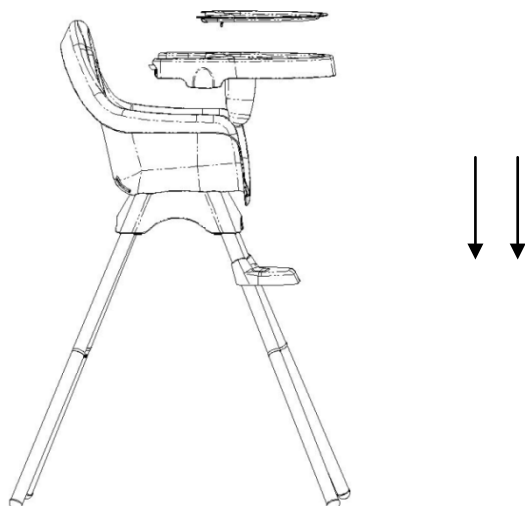
**4.** Do the same for all the legs.  
Make sure the popper has inserted all the way through the corresponding holes on the upper legs.



**5. Insert the divider into the tray, push it firmly until the corresponding pieces click together.**

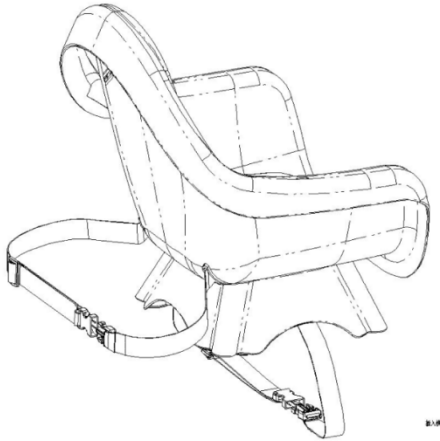


**6. Push the tray onto the seat**



**The bottom legs can be removed converting the highchair to a junior chair.**

6. To make the highchair to a booster, simply remove all the legs. Place the seat on a chair, and firmly put the back straps on the backrest of a chair, and the straps at the bottom, under the base of the chair. Make sure the straps are pulled firmly.



**WARNING:** Never leave a child unattended in this product.

Made in China  
Bebe Style Ltd NW2 1BG  
info@bebestyle.co.uk  
www.bebestyle.co.uk