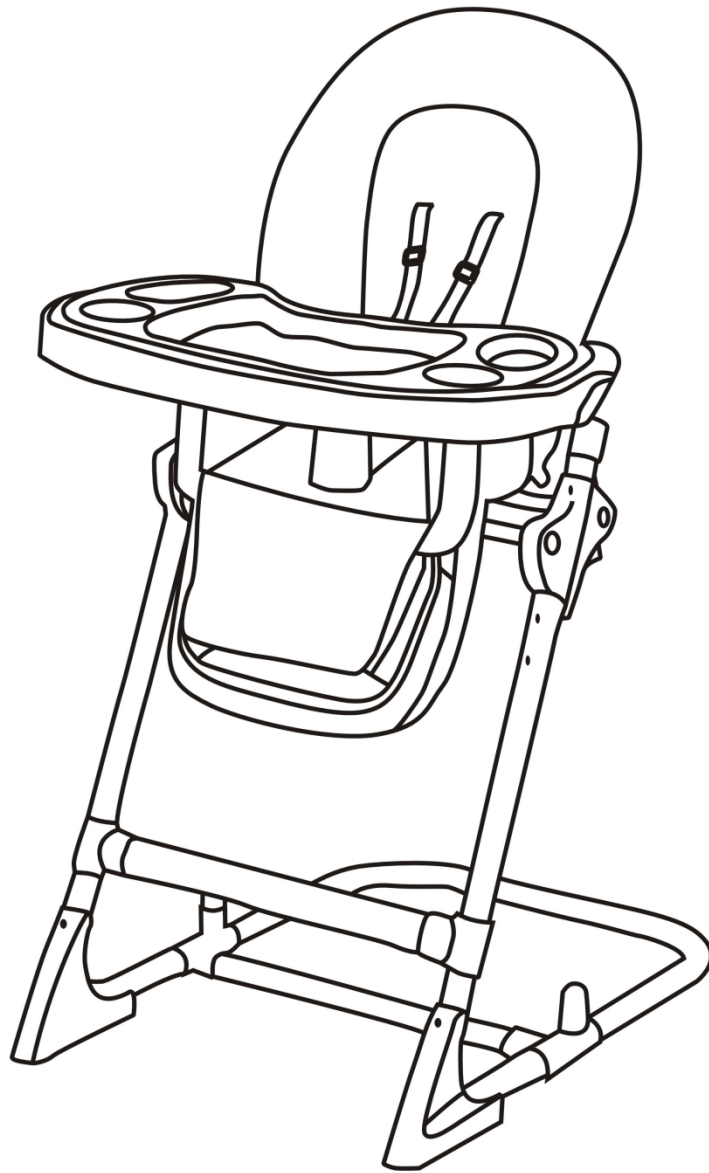


HLMH30 HIGHCHAIR



Instructions



IMPORTANT: KEEP FOR FUTURE REFERENCE

SAFETY: TAKE NOTE

Thank you for choosing our product.

This highchair is carefully designed for baby's safety and features a large tray with cup holder and a wipe clean seat with five point harness.

Suitable for children who are able to sit up unaided (approximately 6-9 months up to 36 months.)

To ensure safe, trouble free use, please take a little time to read the important safety notes below and the following instructions.

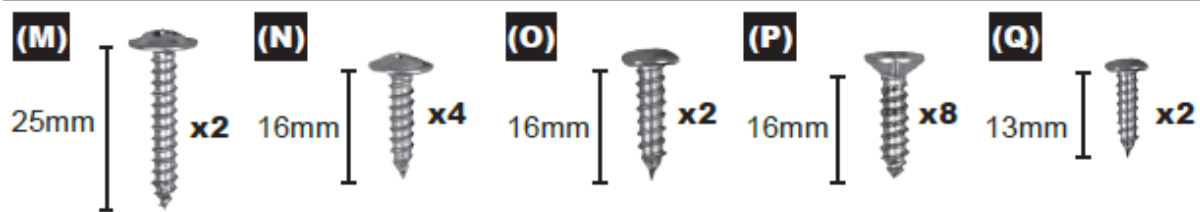
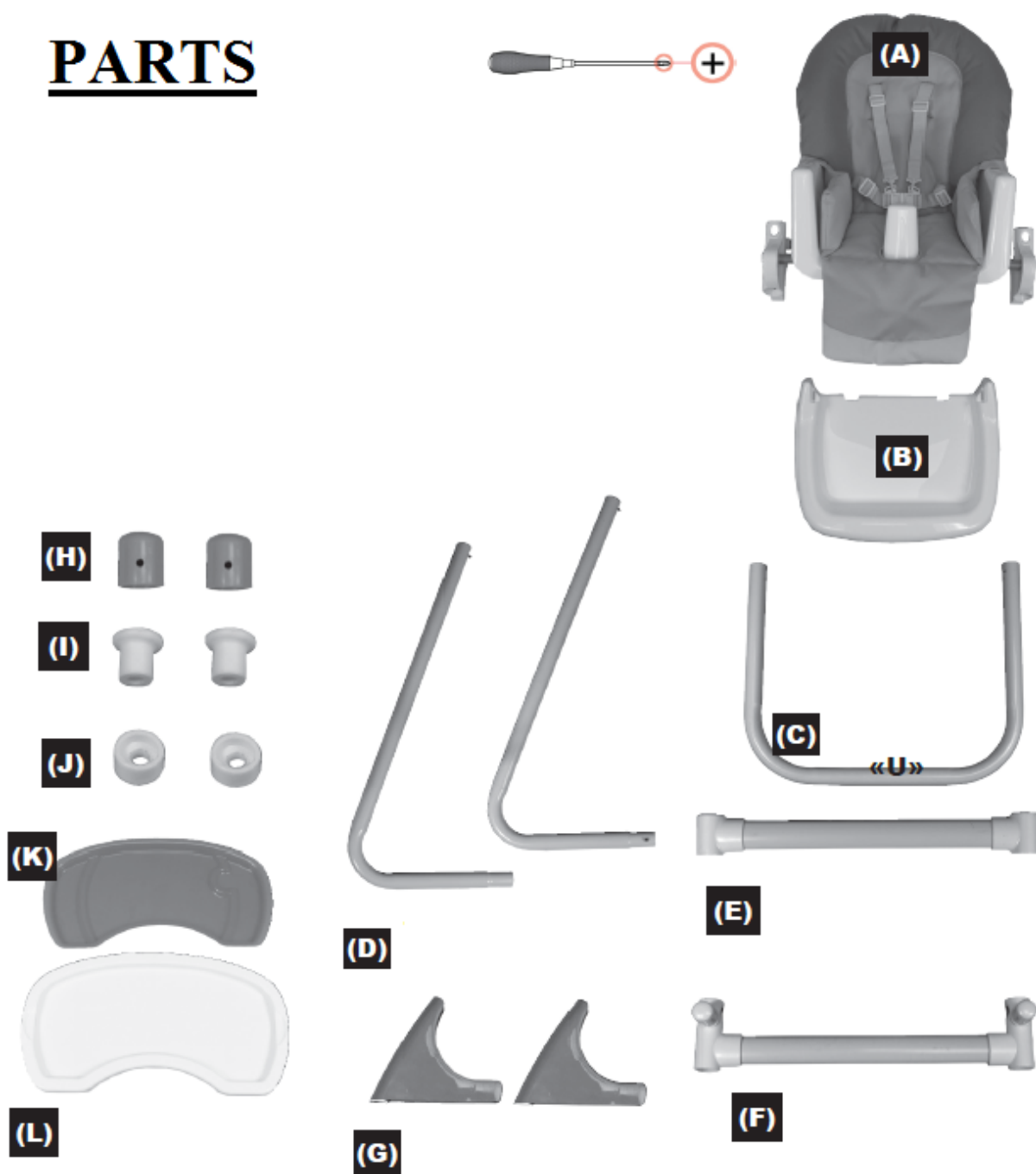
- WARNING: Do not use if any part is broken, torn or missing.
- WARNING: Do not use the highchair until the child can sit up unaided.
- WARNING: Do not use the highchair unless all components are correctly fitted and adjusted.
- WARNING: Do not leave your child unattended, even for the shortest time.
- WARNING: To prevent serious injury or death from falls or sliding out, ensure the harness is correctly fitted and that the child is secure in the restraint.
- WARNING: Avoid placing the chair near naked heat sources such as electric bar fires, gas fires, etc. or where a child could gain access to any other kind of hazard.
- Ensure all locking devices work correctly & regularly check the locks & fittings for security.

- Only use on a flat stable surface.
- Ensure your highchair is fully erected before placing your child inside.
- Ensure children are clear of all moving parts before making any adjustments.
Do not move the highchair with your child inside.
- Do not allow your child to climb unassisted into, play with or hang onto your highchair. This is not a toy.
- All additional hazards such as electrical flex should be kept out of reach of the child in the highchair.
- Complies with EN 14988 : 2006.

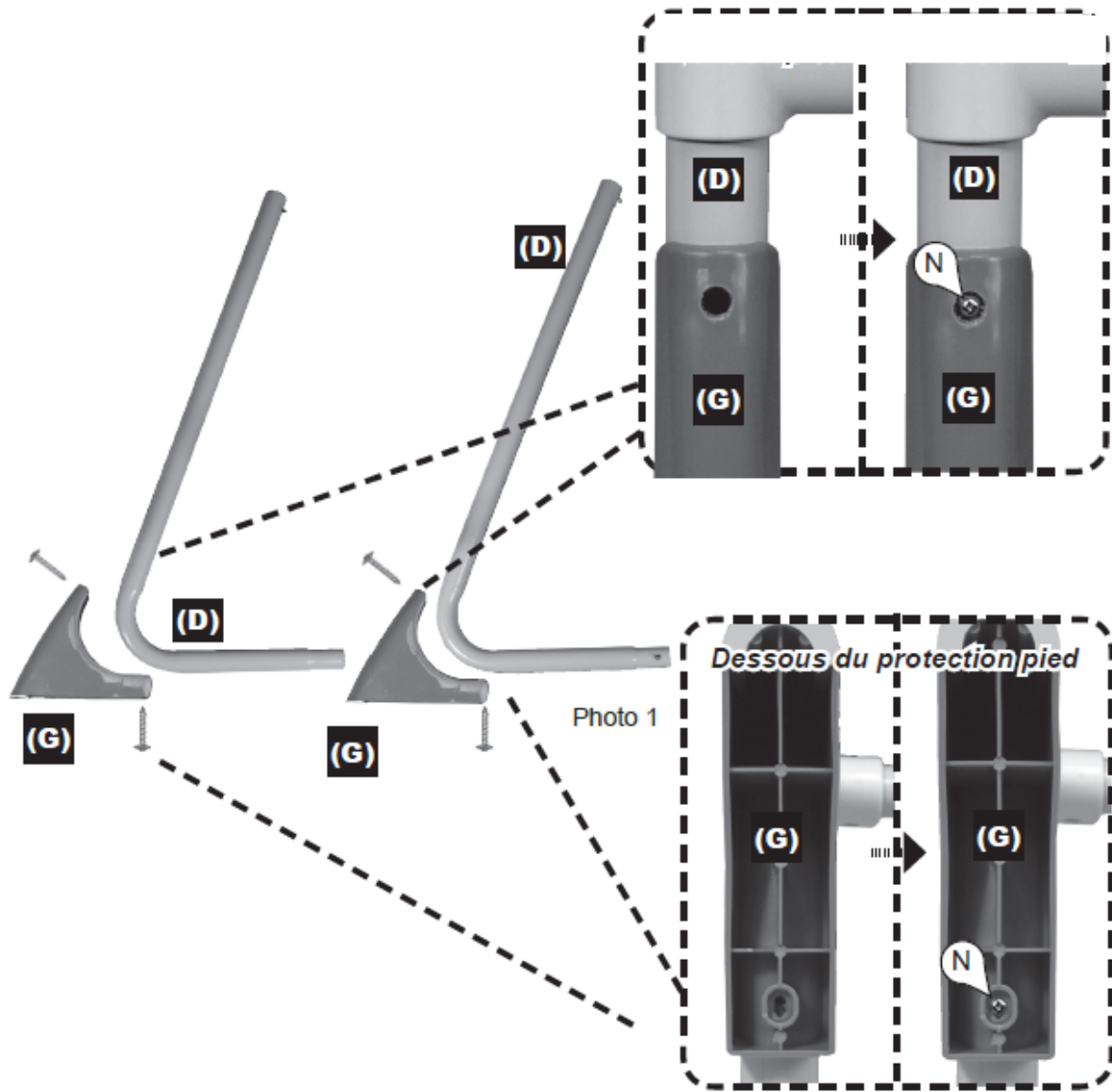
CARE & MAINTENANCE

- Ensure all locking devices work correctly & regularly check the locks & fittings for security.
- Regularly check all parts for wear & tear.
- DO NOT use spray lubricants, simply wipe clean after use.

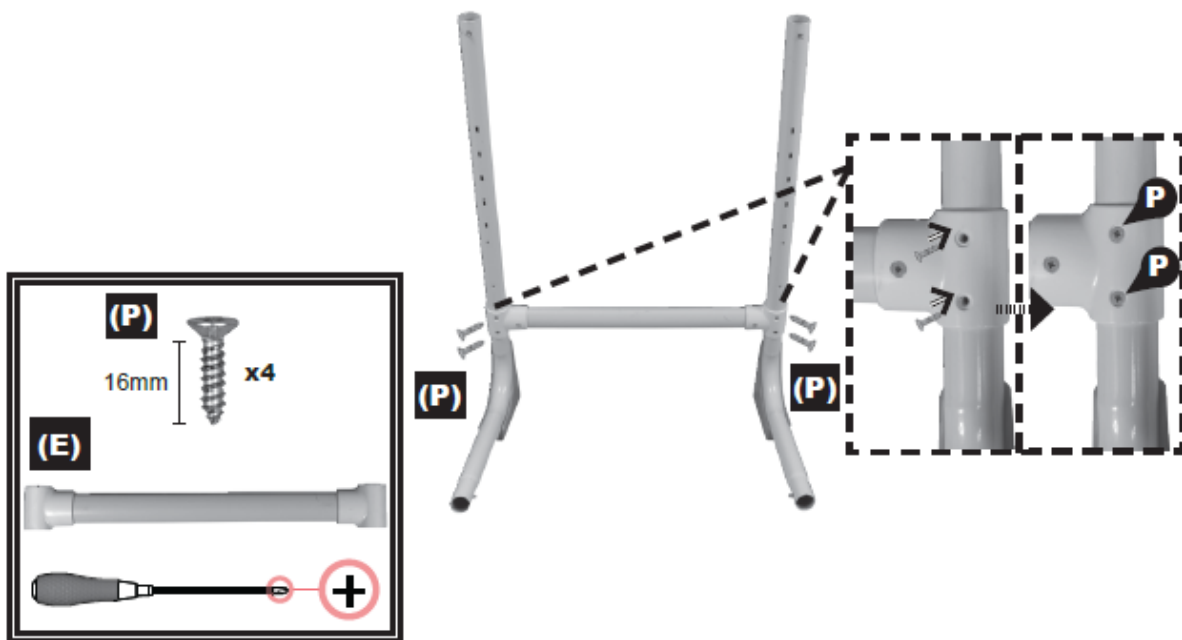
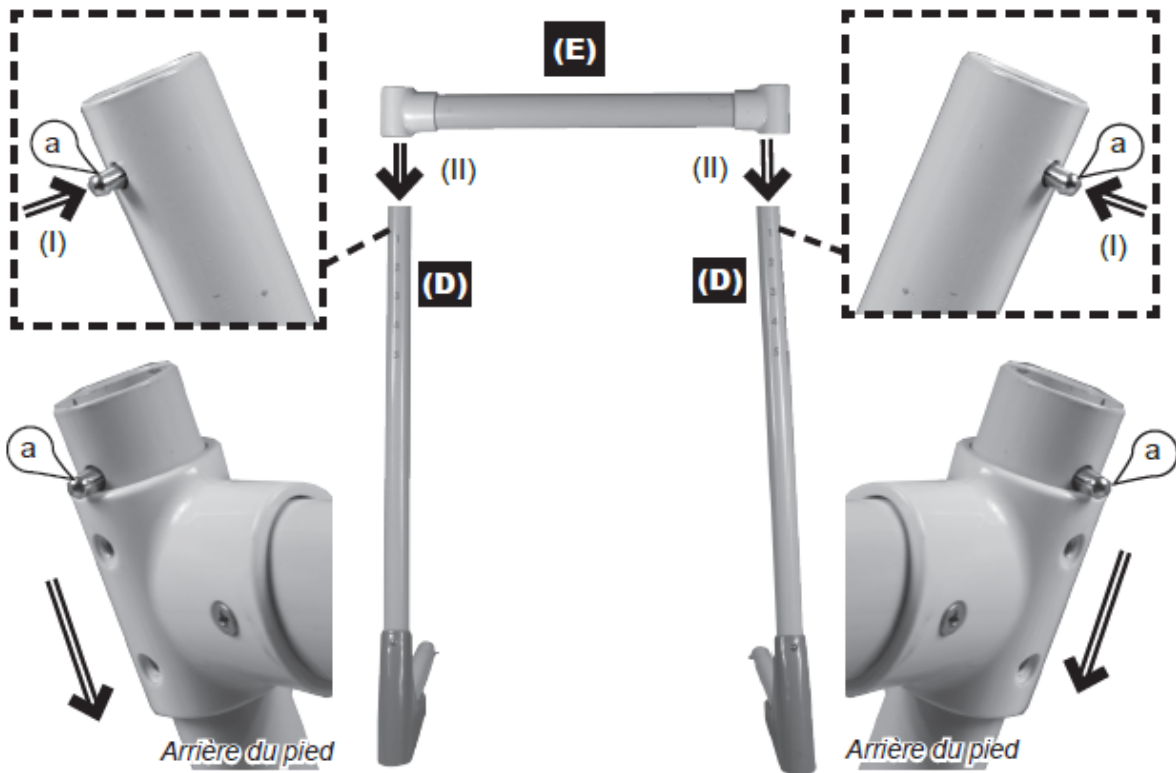
PARTS



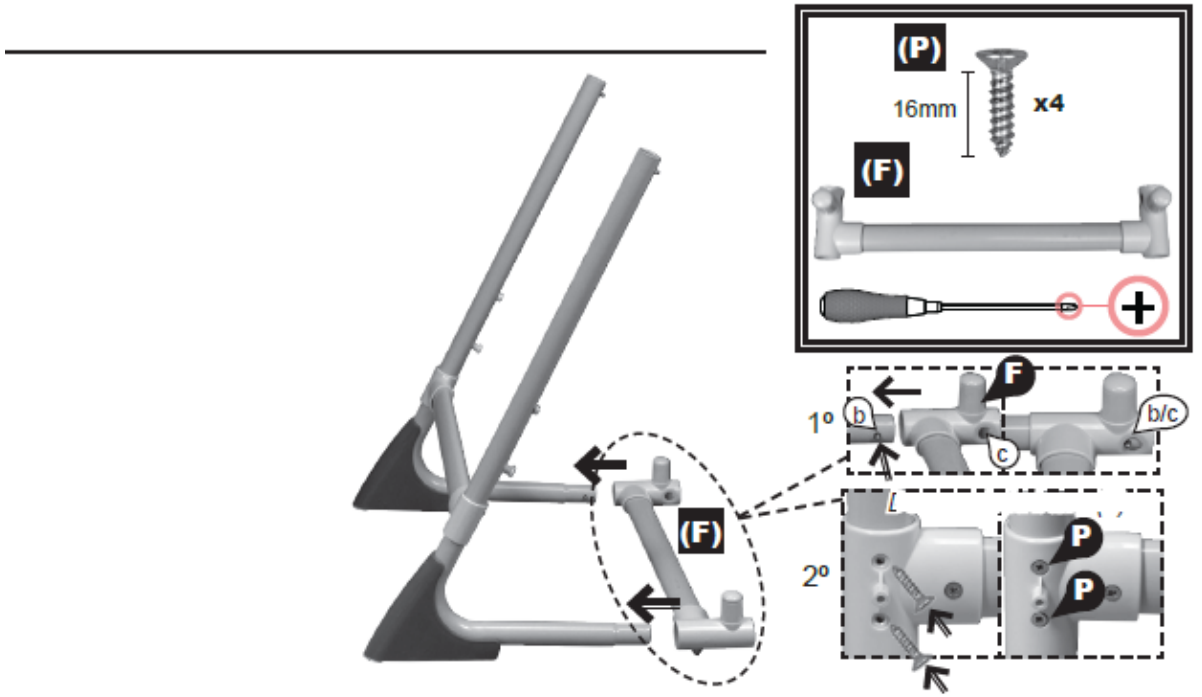
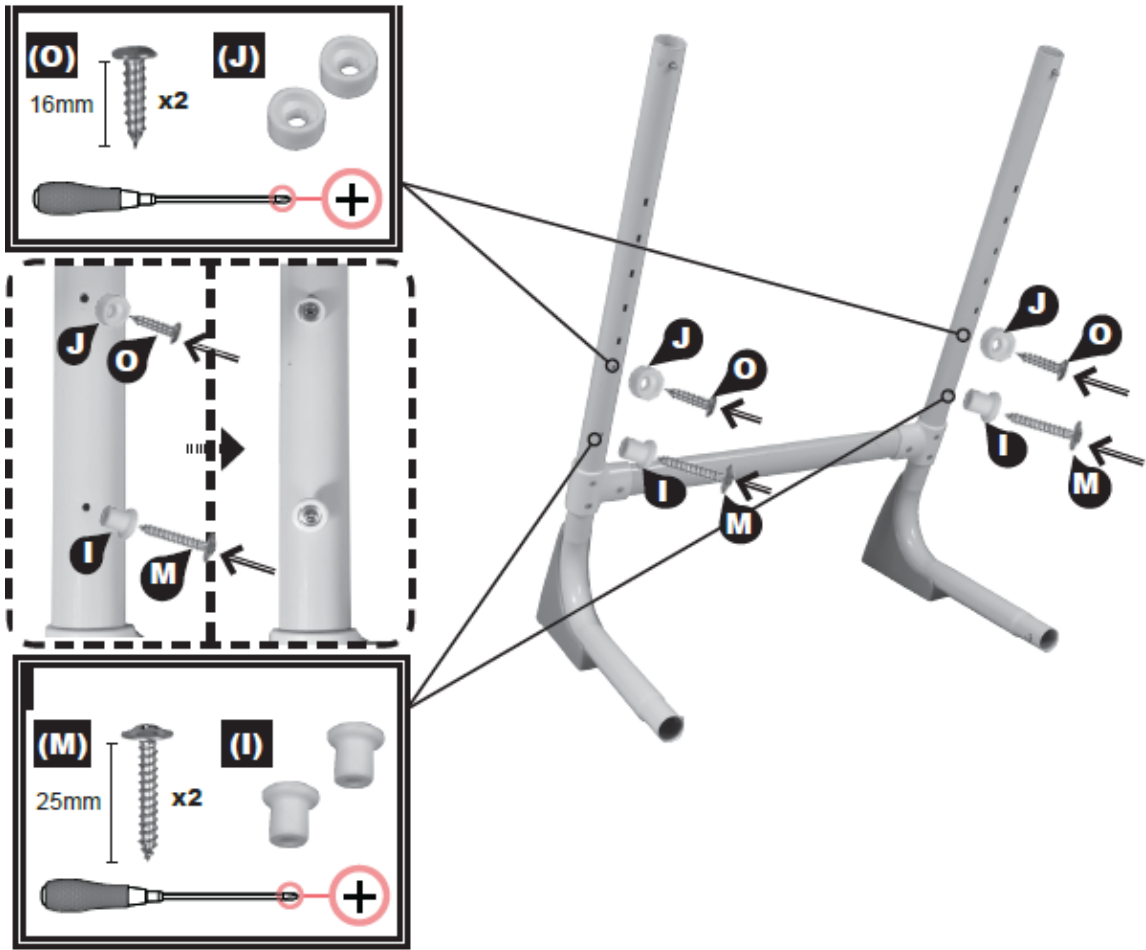
1.



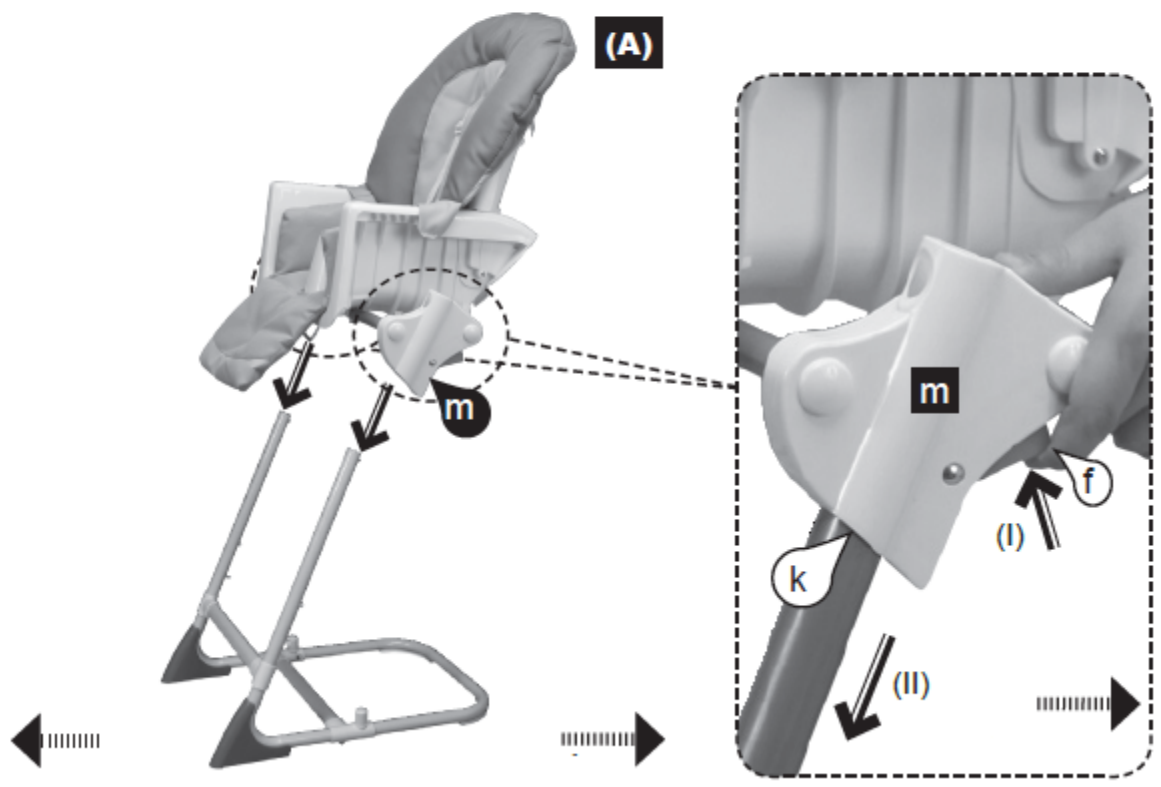
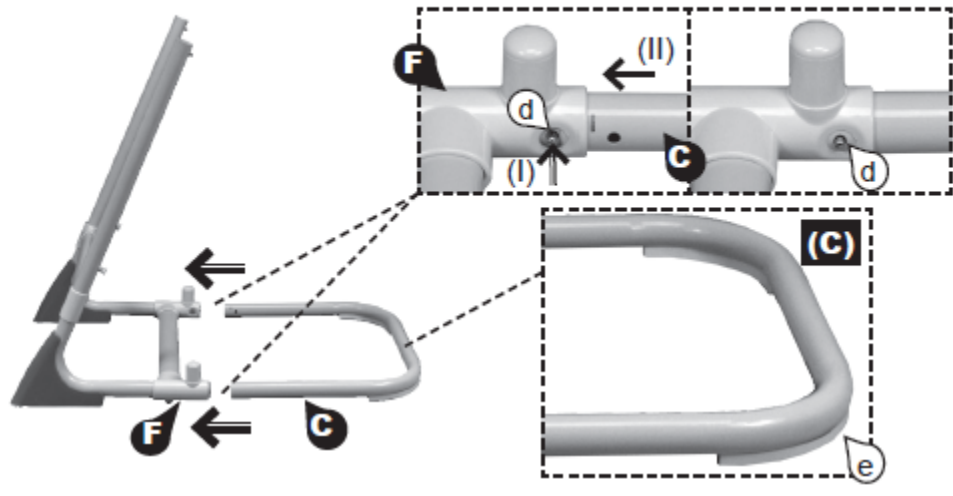
2.



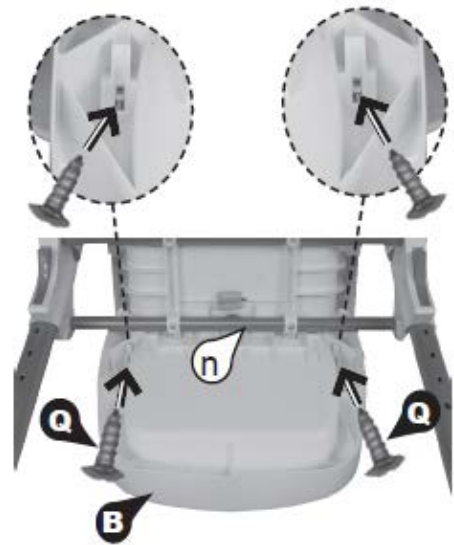
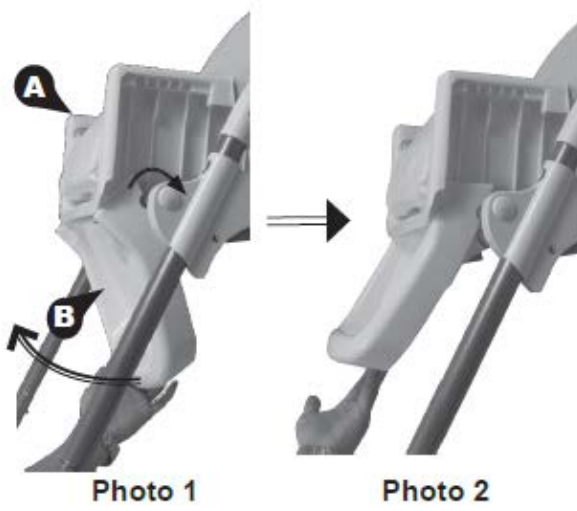
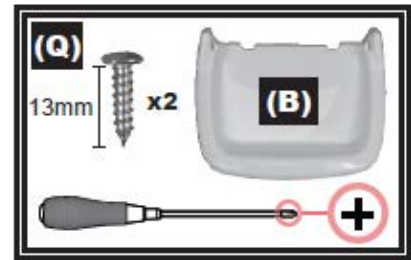
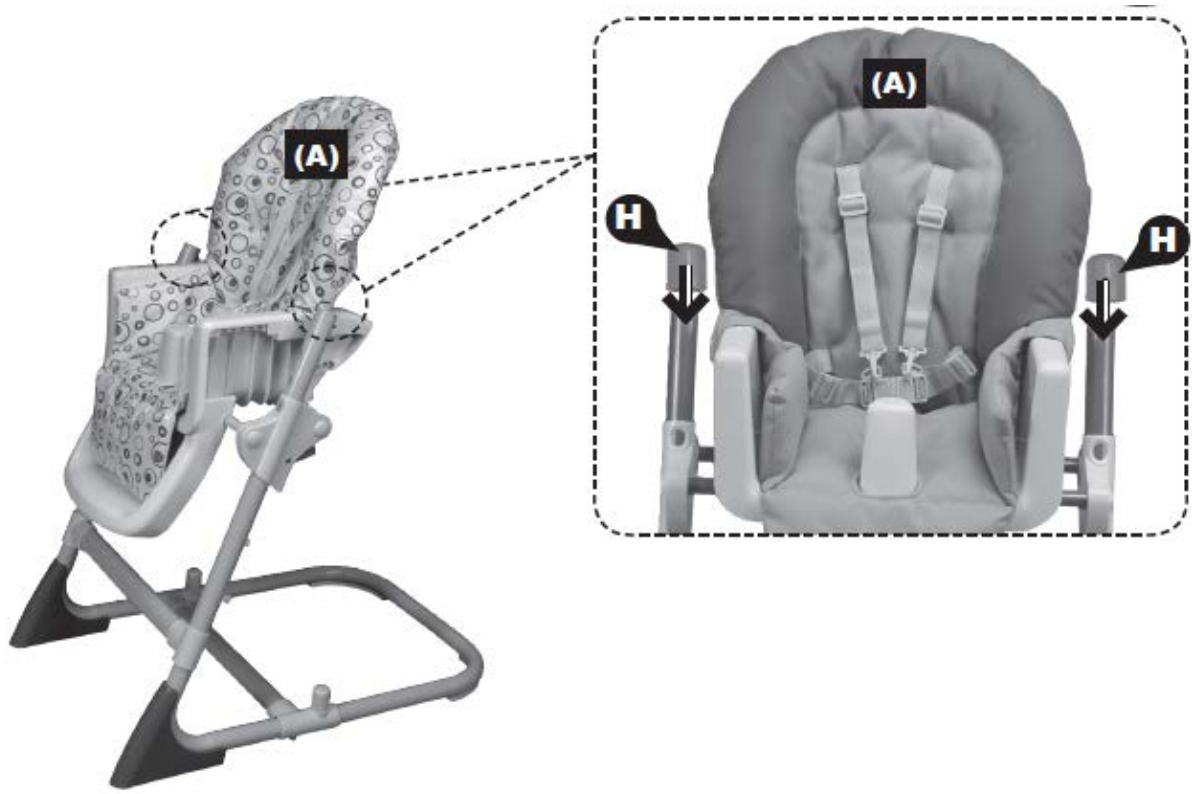
3.



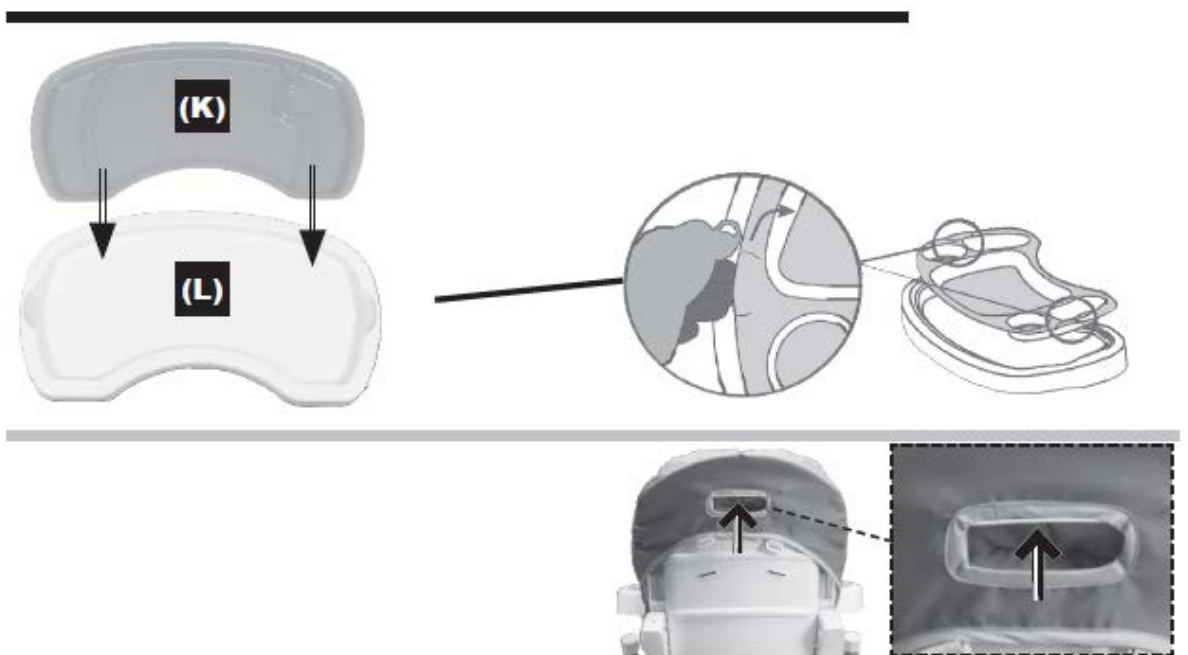
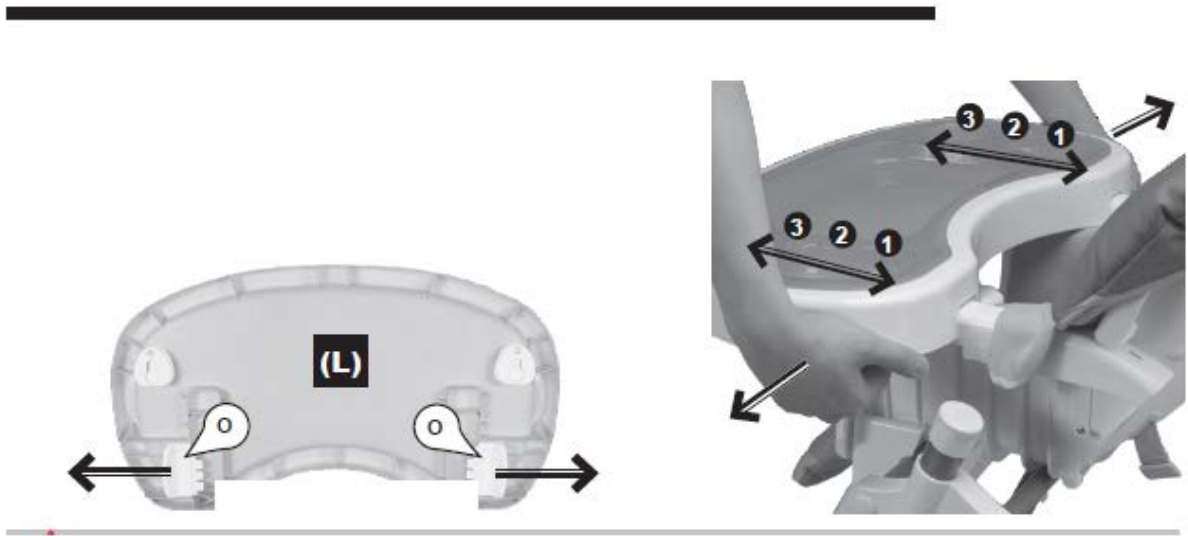
4.



5.



5.



6.

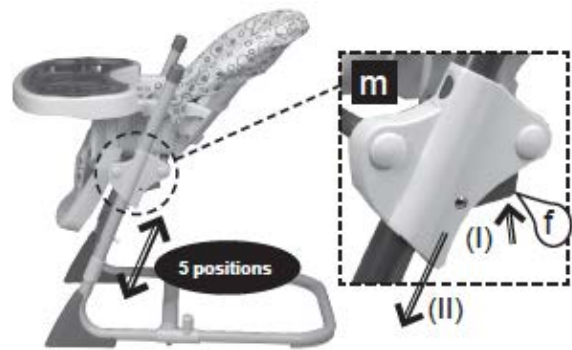


Photo 1

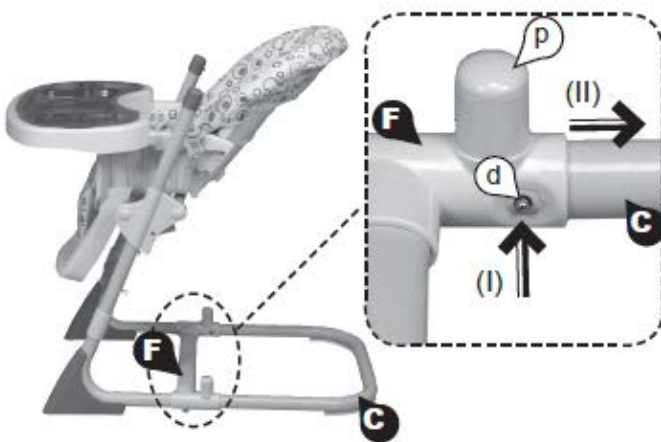
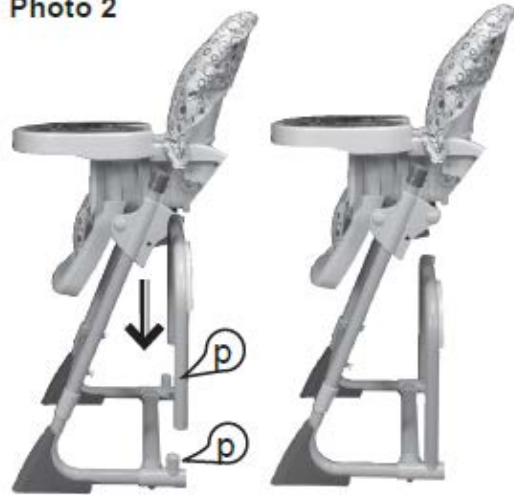


Photo 2



7.

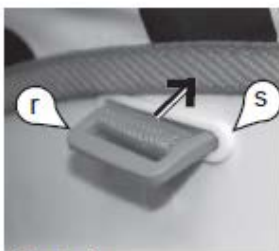
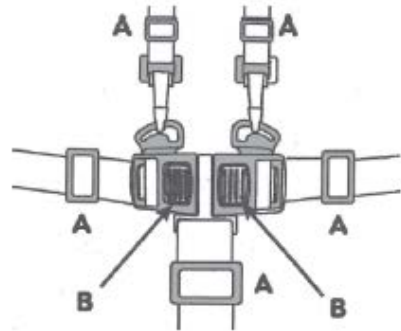


photo 1

photo 2

photo 3

EN

CARE AND MAINTENANCE

- Ensure all locking devices work correctly and regularly check the locks and fittings for security.
- Regularly check all parts for wear and tear.
- Do not use spray lubricants, simply wipe clean after use.

CLEANING

- The highchair can be cleaned by sponging with warm soapy water and a mild detergent. A mild disinfectant may be used if desired.
- Stubborn marks may be removed with a non abrasive cream cleaner. Never clean with abrasive, ammonia based, bleach based or spirit type cleaners.